

98.03.xx.100 OMEGA SEMI-ACTIVE HANDLE KIT

Included in the 98.03.XX.100 Semi-Active handle kit:

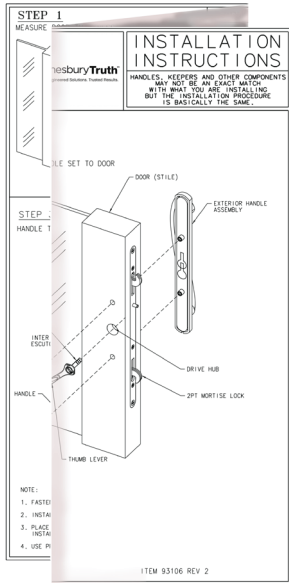
- Interior handle
- Exterior handle
- Thumb lever with tongue
- 5 sets of door mounting screws of 1 1/2", 1 11/16", 2.00", 2 1/8", 2 1/2" lengths to fit stile thicknesses ranging from 1.25" to 2.25"
- Assembly instruction sheet.

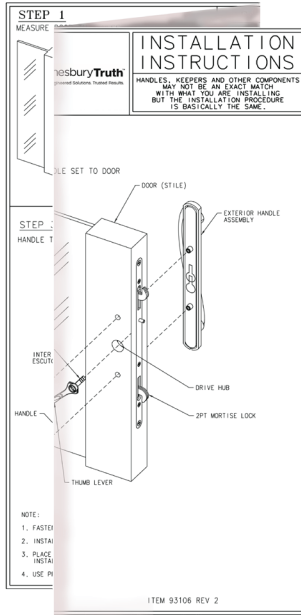


98.03.xx.102 OMEGA ACTIVE HANDLE KIT (CENTERED)

Included in the 98.03.XX.102 Active handle kit:

- Interior handle
- Exterior handle
- Thumb lever with tongue
- Weiser style 5-pin Key cylinder. (KA available separately)
- 2 keys
- 5 sets of door mounting screws of 1 1/2", 1 11/16", 2.00", 2 1/8", 2 1/2" lengths to fit stile thicknesses ranging from 1.25" to 2.25"
- Assembly instruction sheet.



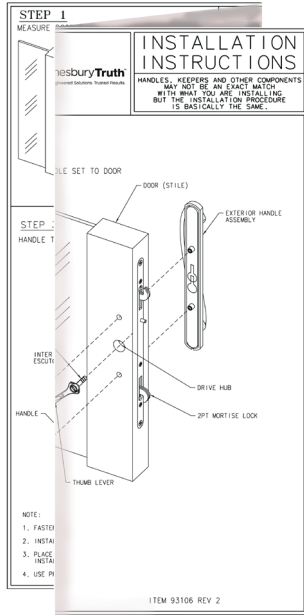


98.03.xx.103 OMEGA ACTIVE HANDLE KIT (OFFSET)

Included in the 98.03.XX.103 Inactive handle kit:

- Interior handle
- Exterior handle
- Thumb lever with tongue
- Weiser style 5-pin Key cylinder. (KA available separately)
- 5 keys
- 5 sets of door mounting screws of 1 1/2", 1 11/16", 2.00", 2 1/8", 2 1/2" lengths to fit stile thicknesses ranging from 1.25" to 2.25".
- Assembly instruction sheet.





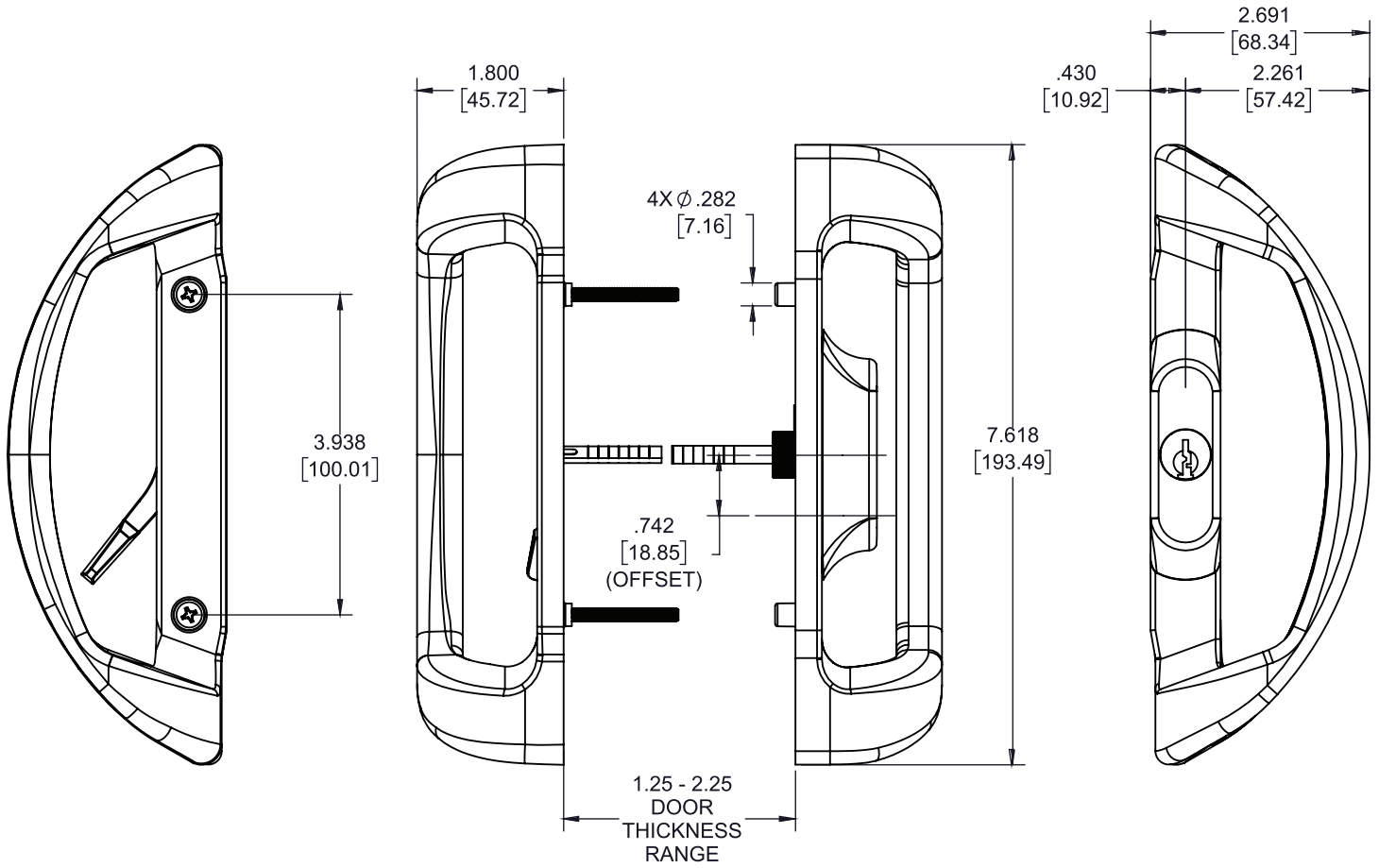
98.03.xx.104 OMEGA INACTIVE HANDLE KIT

Included in the 98.03.XX.104 Inactive handle kit:

- Interior handle
- Exterior handle
- 5 sets of door mounting screws of 1 1/2", 1 11/16", 2.00", 2 1/8", 2 1/2" lengths to fit stile thicknesses ranging from 1.25" to 2.25".
- Assembly instruction sheet.

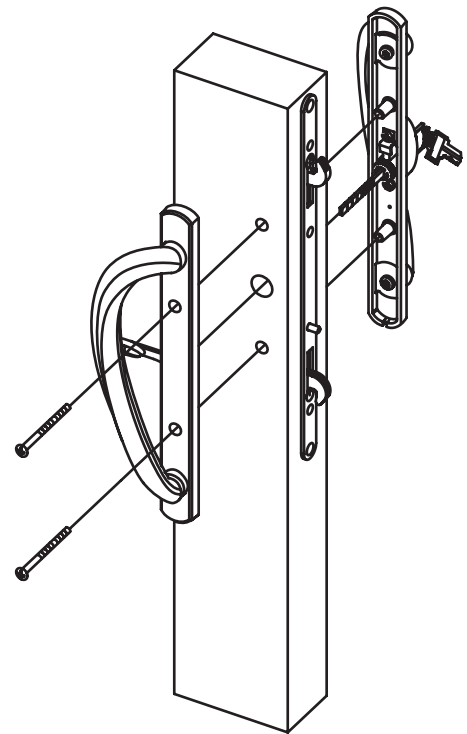
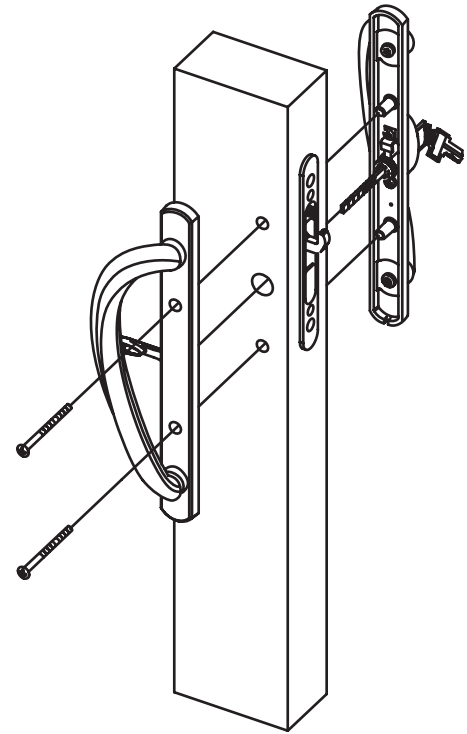
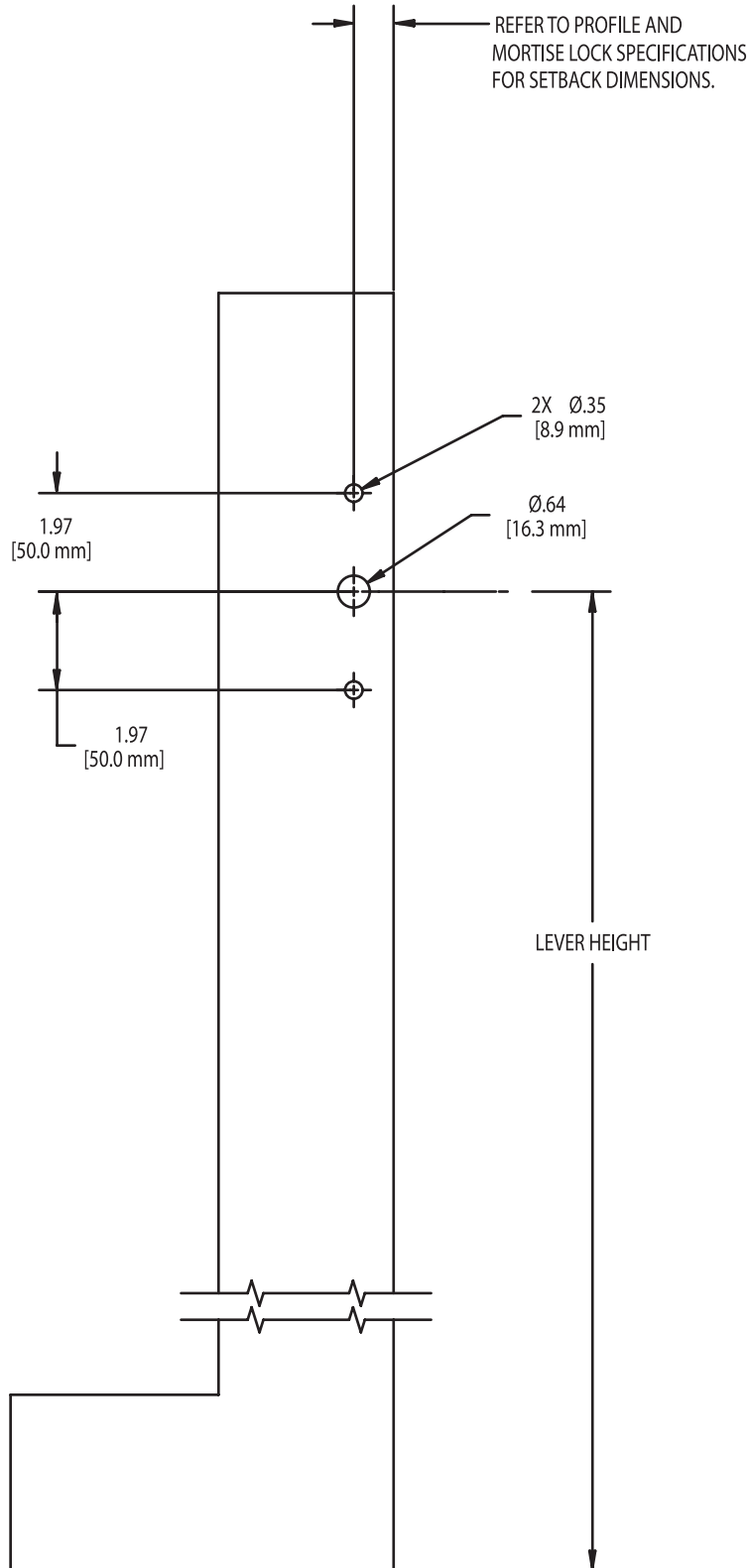


OMEGA SERIES PATIO DOOR HANDLE 98.03

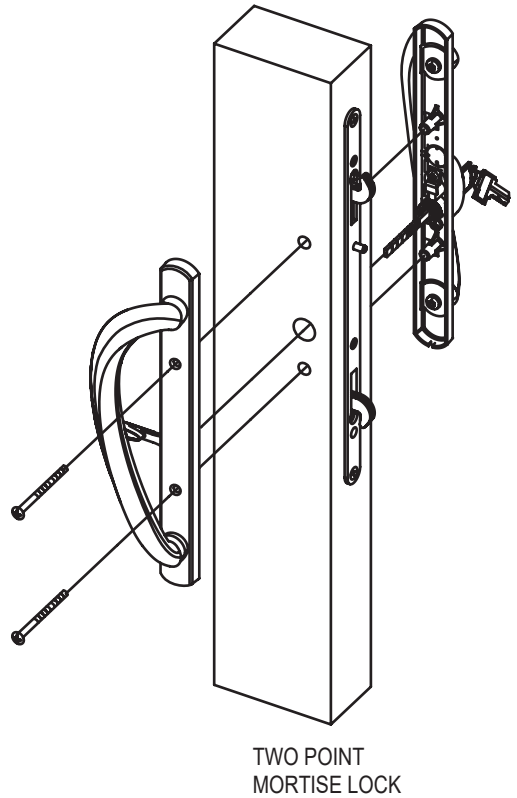
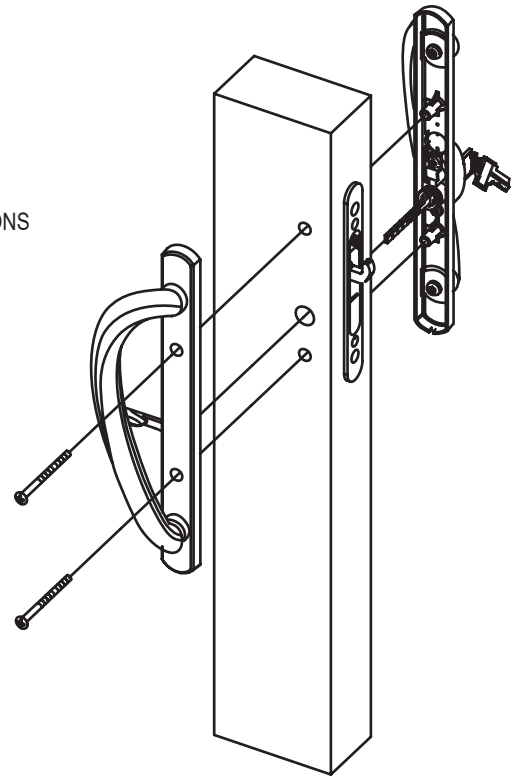
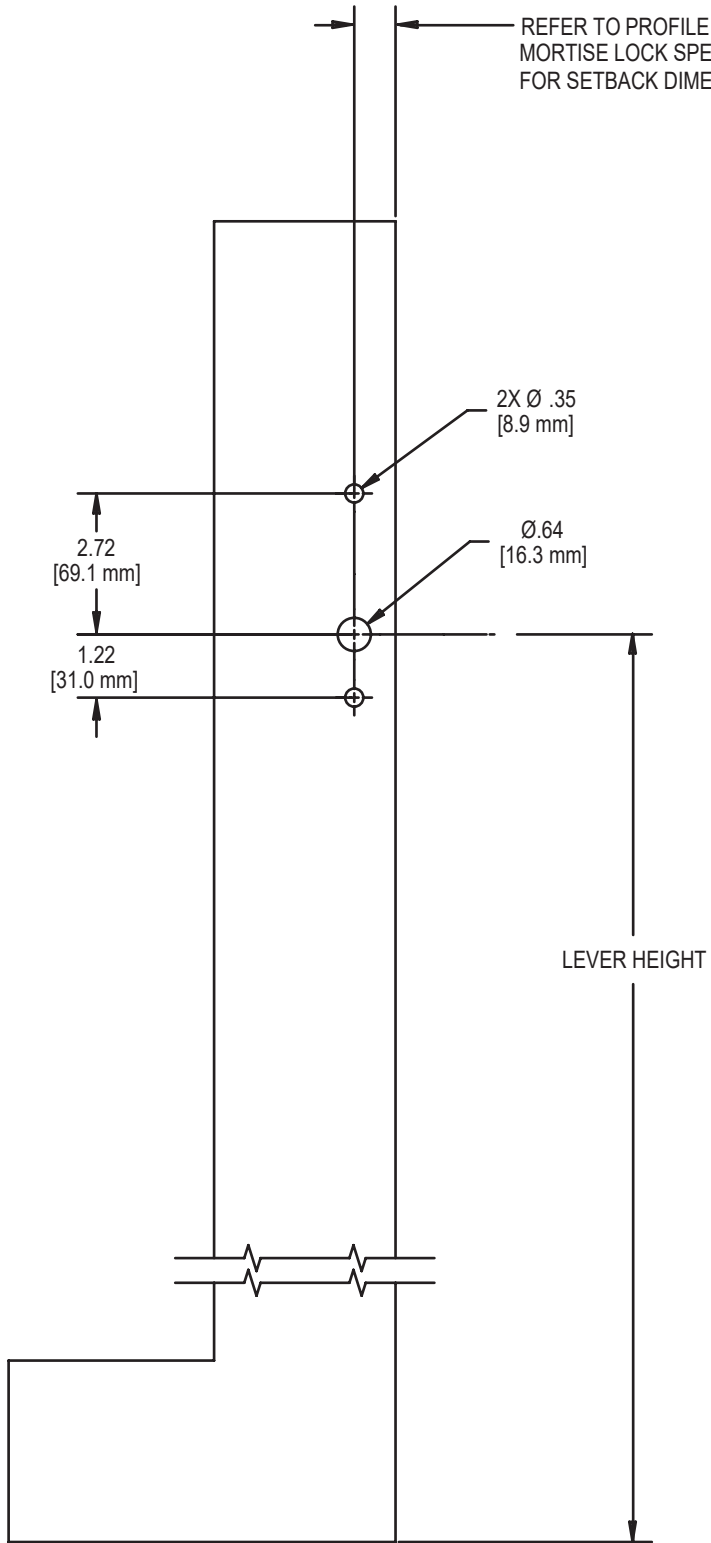


BLADE LENGTH = 1/2 DOOR THICKNESS WHEN USED WITH LOCK CYLINDER
(WILL VARY; FORMULA BASED ON CENTERED MORTISE LOCK)

TYPICAL PATIO DOOR HANDLE APPLICATION (CENTERED LEVER POSITION)



TYPICAL PATIO DOOR HANDLE APPLICATION (OFFSET LEVER POSITION)

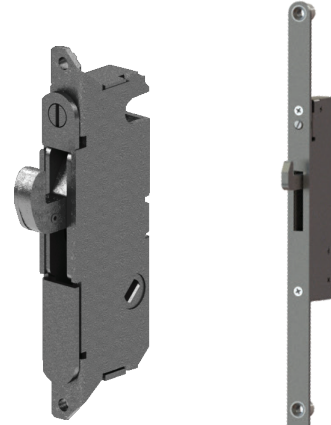


Compatible Locks:

The Omega Series 98.03 handle sets work with single point, 2 point, and 3 point locks.

AmesburyTruth's technical applications specialists can help assist with determining the best lock for the door system you are fabricating.

The applications team can be reached at:
ApplicationSpecialists@truth.com



Single Point



**Gemini
2 - Point**



**Nexus
2 - Point**



**Nexus
3 - Point**